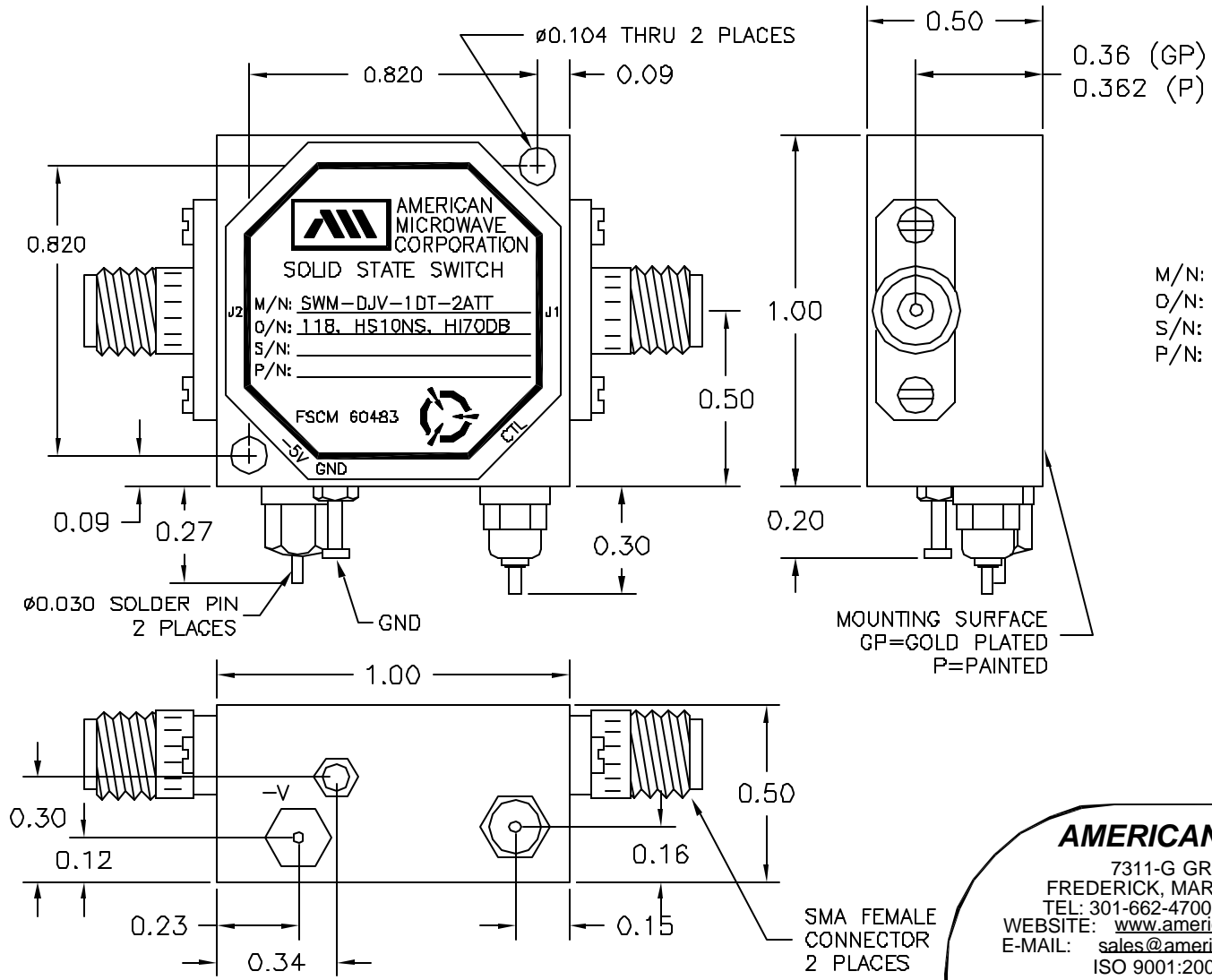


DESCRIPTION

AMC MODEL SWM-DJV-1DT-2ATT OPTIONS: 118, HS10NS, HI70DB IS A SINGLE POLE SINGLE THROW ABSORPTIVE/NON-REFLECTIVE SWITCH MODULE WITH VERY LOW VIDEO TRANSIENTS, ULTRA HIGH SPEED, HIGH ISOLATION AND WITH INTEGRAL TTL DRIVER, DESIGNED FOR 1 TO 18 GHZ OPERATION.

REVISIONS				
ZONE	REV.	DESCRIPTION	DATE	APPROVED
	-	ORIGINAL RELEASE JOB# 602034XN	4/19/06	

MECHANICAL OUTLINE



M/N: = MODEL NUMBER
 O/N: = OPTION NUMBER
 S/N: = SERIAL NUMBER
 P/N: = PART NUMBER

MOUNTING SURFACE
 GP=GOLD PLATED
 P=PAINTED

ALL DIMENSIONS ARE IN INCHES
 TOLERANCES:
 X.XX ±0.020
 X.XXX ±0.010

AMERICAN MICROWAVE CORPORATION

7311-G GROVE ROAD
 FREDERICK, MARYLAND 21704 USA
 TEL: 301-662-4700 FAX: 301-662-4938
 WEBSITE: www.americanmicrowavecorp.com
 E-MAIL: sales@americanmicrowavecorp.com
 ISO 9001:2000 CERTIFIED



APPROVALS		DATE	TITLE		
DRAWN	<i>FDS</i>	4/19/06	MECHANICAL OUTLINE SWM-DJV-1DT-2ATT OPTION: 118, HS10NS, HI70DB 1-18 GHZ, SINGLE POLE SINGLE THROW SWITCH		
CHECKED			SIZE	FSCM NO.	DWG NO.
ISSUED			A	60483	100-7640
			SCALE	N:S	SHEET 2 OF 4

DESCRIPTION

AMC MODEL SWM-DJV-1DT-2ATT OPTIONS: 118, HS10NS, HI70DB IS A SINGLE POLE SINGLE THROW ABSORPTIVE/NON-REFLECTIVE SWITCH MODULE WITH VERY LOW VIDEO TRANSIENTS, ULTRA HIGH SPEED, HIGH ISOLATION AND WITH INTEGRAL TTL DRIVER, DESIGNED FOR 1 TO 18 GHz OPERATION.

SPECIFICATIONS

- FREQUENCY RANGE: 1 TO 18 GHz
- INSERTION LOSS: 4.0 dB MAXIMUM
- ISOLATION: 1-6 GHz: 60 dB MINIMUM
6-18 GHz: 70 dB MINIMUM
- VSWR: 2.0:1
- RISE TIME: 2 nSec MAXIMUM
- FALL TIME: 2 nSec MAXIMUM
- DELAY ON: 10 nSec MAXIMUM
- DELAY OFF: 10 nSec MAXIMUM
- POWER INPUT: +20 dBm
- SURVIVAL POWER: 1 WATT CW, 10 WATTS PEAK 1 uSec
- CONTROL: TTL LOGIC "0" = ON
TTL LOGIC "1" = OFF
- POWER SUPPLY: -5V @ 25 mA MAXIMUM
- VIDEO TRANSIENT: 20 mV P-P @ 300 MHz BANDWIDTH (2-20 GHz)
4 mV P-P @ 20 MHz BANDWIDTH (2-20 GHz)
150 mV P-P @ 300 MHz BANDWIDTH (DC-20 GHz)
50 mV P-P @ 20 MHz BANDWIDTH (DC-20 GHz)
- CONNECTORS:
RF: SMA FEMALE
CONTROL: SOLDER PIN
- SIZE: 1.20" (L) x 1.00" (W) x 0.50" (H)
- WEIGHT: 1.5 OUNCE TYPICAL

OPTIONS:

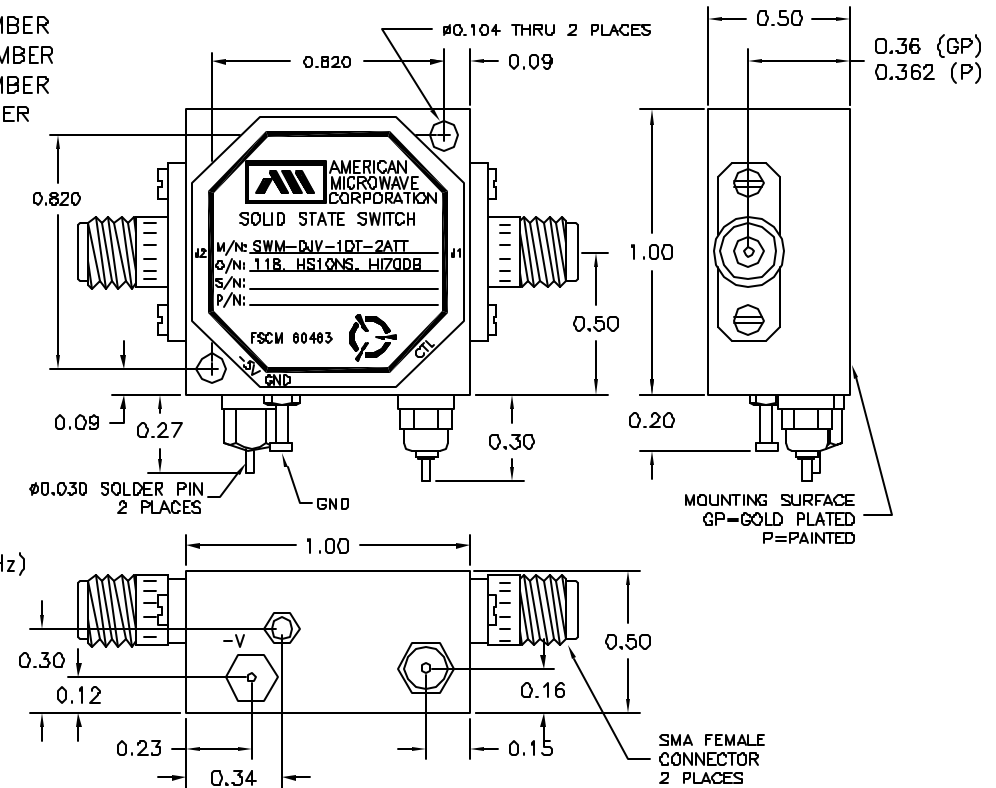
- 118: 1 TO 18 GHz FREQUENCY RANGE
- HS10NS: HIGH SPEED OF 10 nSec
- HI70DB: HIGH ISOLATION OF 70 dB MINIMUM

ENVIRONMENTAL RATINGS:

- TEMPERATURE: -55°C TO +85°C (OPERATING)
-65°C TO +125°C (STORAGE)
- HUMIDITY: MIL-STD-202F, METHOD 103B COND. B
- SHOCK: MIL-STD-202F, METHOD 213B COND. B
- VIBRATION: MIL-STD-202F, METHOD 204D COND. B
- ALTITUDE: MIL-STD-202F, METHOD 105C COND. B
- TEMPERATURE CYCLE: MIL-STD-202F, METHOD 107D COND. A

NOTE: SPECIFICATIONS WILL VARY OVER OPERATING TEMPERATURE
NOTE: THE ABOVE SPECIFICATIONS ARE SUBJECT TO CHANGE OR REVISION

M/N: = MODEL NUMBER
O/N: = OPTION NUMBER
S/N: = SERIAL NUMBER
P/N: = PART NUMBER



ALL DIMENSIONS ARE IN INCHES
TOLERANCES:
XXX ±0.020
XXX ±0.010

REVISIONS				
ZONE	REV.	DESCRIPTION	DATE	APPROVED
	-	ORIGINAL RELEASE JOB# 602034XN	4/19/06	

AMERICAN MICROWAVE CORPORATION

7311-G GROVE ROAD
FREDERICK, MARYLAND 21704 USA
TEL: 301-662-4700 FAX: 301-662-4938
WEBSITE: www.americanmicrowavecorp.com
E-MAIL: sales@americanmicrowavecorp.com
ISO 9001:2000 CERTIFIED



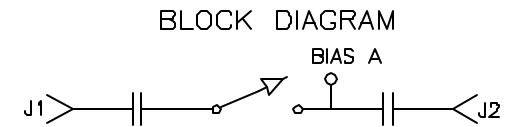
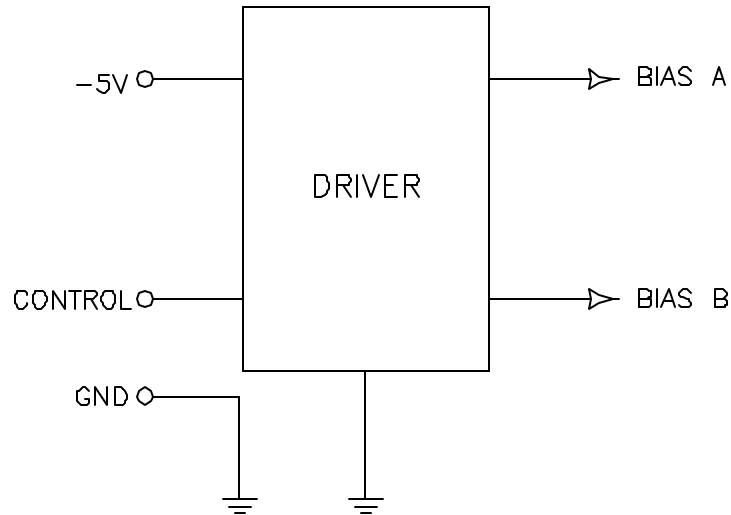
APPROVALS		DATE	TITLE		REV.
DRAWN	<i>FDF</i>	4/19/06	PRODUCT FEATURE SWM-DJV-1DT-2ATT OPTION: 118, HS10NS, HI70DB 1-18 GHz, SINGLE POLE SINGLE THROW SWITCH		-
CHECKED			SIZE	FSCM NO.	DWG NO.
ISSUED			A	60483	100-7640
			SCALE	N:S	SHEET 1 OF 4

DESCRIPTION

AMC MODEL SWM-DJV-1DT-2ATT OPTIONS: 118, HS10NS, HI70DB IS A SINGLE POLE SINGLE THROW ABSORPTIVE/NON-REFLECTIVE SWITCH MODULE WITH VERY LOW VIDEO TRANSIENTS, ULTRA HIGH SPEED, HIGH ISOLATION AND WITH INTEGRAL TTL DRIVER, DESIGNED FOR 1 TO 18 GHZ OPERATION.

REVISIONS				
ZONE	REV.	DESCRIPTION	DATE	APPROVED
	-	ORIGINAL RELEASE JOB# 602034XN	4/19/06	

FUNCTIONAL BLOCK DIAGRAM



AMERICAN MICROWAVE CORPORATION

7311-G GROVE ROAD
 FREDERICK, MARYLAND 21704 USA
 TEL: 301-662-4700 FAX: 301-662-4938
 WEBSITE: www.americanmicrowavecorp.com
 E-MAIL: sales@americanmicrowavecorp.com
 ISO 9001:2000 CERTIFIED



APPROVALS		DATE	TITLE	
DRAWN		4/19/06	FUNCTIONAL BLOCK DIAGRAM	
CHECKED			SWM-DJV-1DT-2ATT	
ISSUED			OPTION: 118, HS10NS, HI70DB	
SIZE	FSCHM NO.	DWG NO.	1-18 GHZ, SINGLE POLE SINGLE THROW SWITCH	
A	60483	100-7640	-	
SCALE	N:S	SHEET	3 OF 4	